

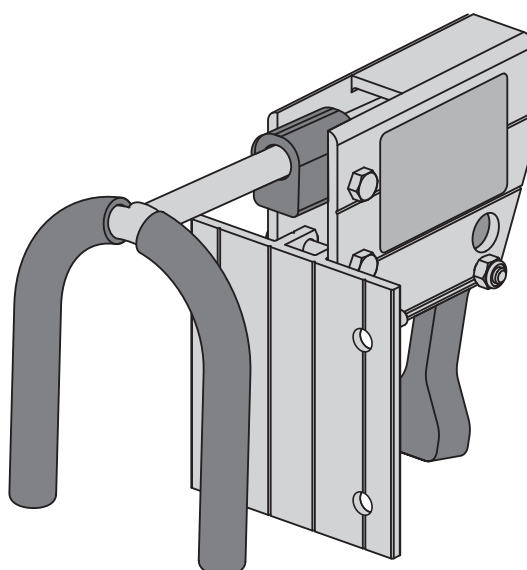
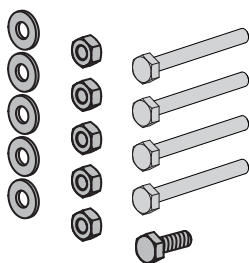
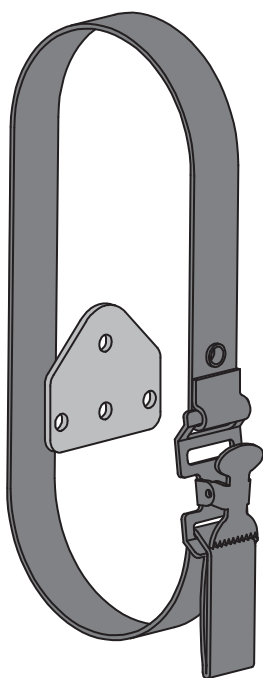
SIDEMOUNT

Ladder Restraint System

**Fits One
Step or Extension**



Model LRS-SM



A PRODUCT OF

**SAFE
SIMPLE
STRONG**

AbleEquips
_com

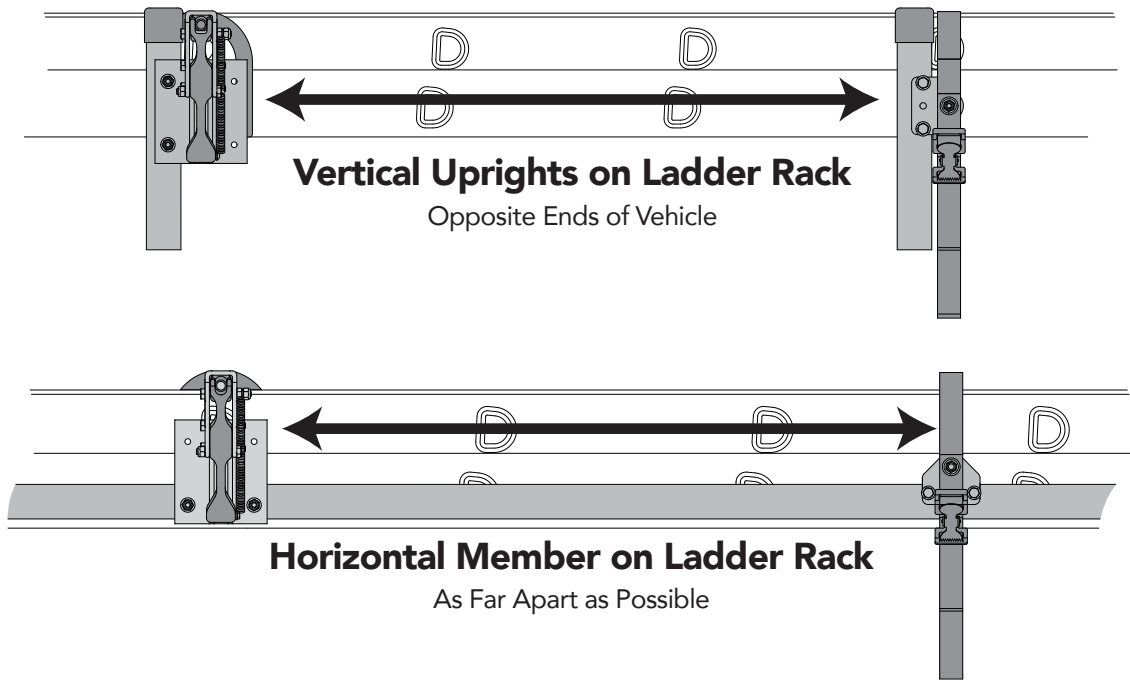
TOOLS NEEDED

- (1) Drill with 1/4" Bit
- (2) 7/16" Wrench or 7/16" Socket

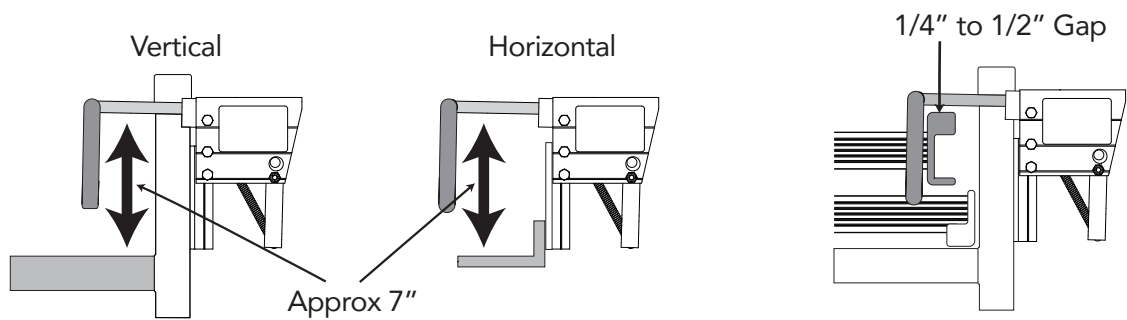
WARNINGS

It is vitally important for all Able Equips ladder racks and accessories be securely and properly attached to your vehicle according to installation instructions. Failure to do so could result in automobile accident, and could cause serious bodily injury or death to you or to others. Responsibility of correct attachment lies with the purchaser of this product. Additionally, the driver of the vehicle is responsible for checking the attachments prior to use, and periodically inspecting them for wear, tear, or damage and to see if adjustment is needed. Please read and understand all of the cautions and instructions supplied with this Able Equips product. If you do not fully understand all of the instructions and cautions, or if you are not familiar with installation procedures, please feel free to contact us for questions.

1 PLACEMENT OF LADDER RESTRAINT SYSTEM

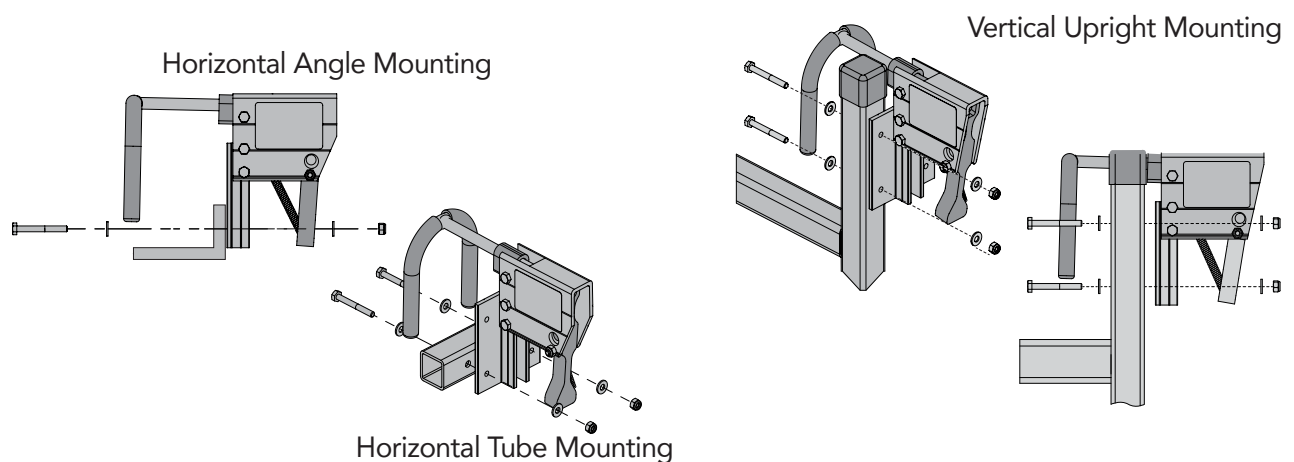


2 PROPER MOUNTING HEIGHT



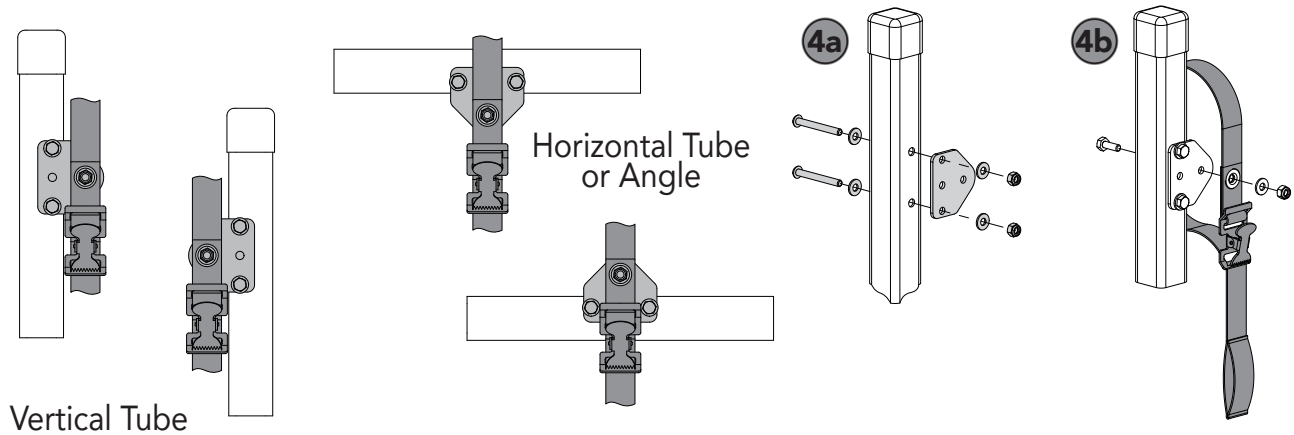
3 LADDER RESTRAINT MOUNTING

Mounting to Horizontal or Vertical Members

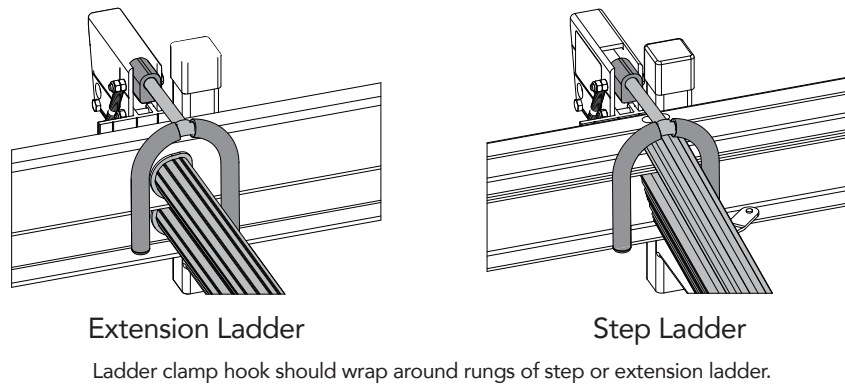


4 STRAP MOUNTING

Mounting to a Crossmember or Upright

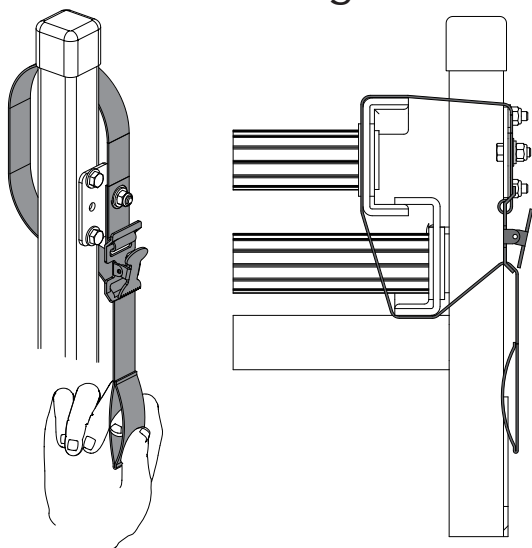


5 PROPER USE OF LADDER CLAMP

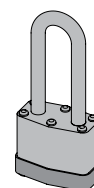
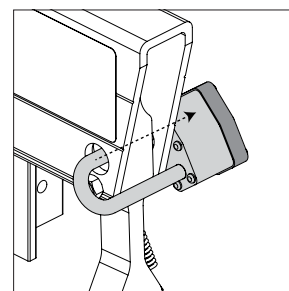


6 PROPER USE OF STRAP

Use Finger Loop and Pull Tight!



7 LOCKING LADDER CLAMP

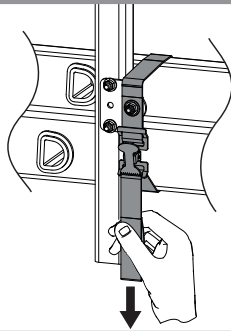




BEFORE DRIVING

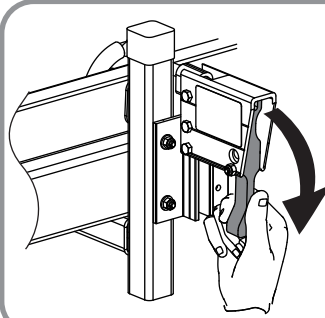
Tighten Strap

Make sure cable lock is padlocked before operating vehicle.



Check Clamp

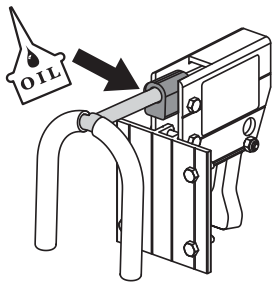
Make sure clamp is secured around ladder properly before operating vehicle.



MAINTENANCE

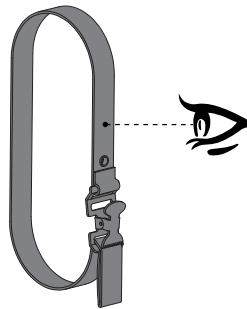
Oil Hook

Check operation weekly, if necessary, add a drop of non-detergent oil.



Check Strap Weekly

Check strap weekly, if necessary, replace with new strap.



WARRANTY

Products manufactured by ABLE, Inc. are warranted to be free from defects in materials and workmanship, under normal use and service, without warranty or fitness for any specific application or use, for a period of one year from date of purchase unless otherwise posted.

The liability of ABLE, Inc. for default under this warranty or for negligence in design, or manufacture of this product is limited to replacement of, or at it's option, credit or refund of the purchase price of, any defective product or parts provided timely notice of default is given to ABLE, Inc. In writing and the product is returned to it's facilities.

Any Implied warranty of merchantability arising under state law is limited to the warranty period specified herein and ABLE, Inc. will not be liable for any consequential damages nor for claims for labor, materials, loss of profit, personal injuries, repairs, transportation or other expenses incidental to replacement. This warranty shall not apply to any products which have been subject to misuse, misapplication, negligence, accident modification, or tampering. This warranty is expressed in lieu of all other warranties expressed or implied and of all other obligations of liabilities on the part of ABLE, Inc and no representative, dealer agent or employee of ABLE, Inc has any authority, promise, or guarantee in connection with manufacture, sale or application of the product.

TECHNICAL ASSISTANCE OR REPLACEMENT PARTS

AE AbleEquips.com

888-684-4977